

INSTRUCTIONS SELECTOR

3 5 $\frac{5}{3}$ 1 1 0

Classification in accordance with
Clause 4. European Standard BSEN 1158

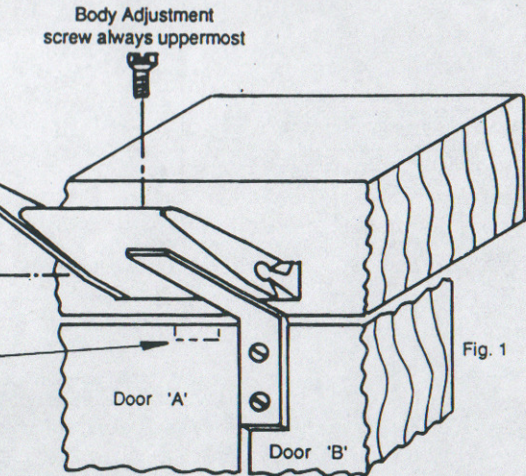


Fig. 1

NOTE: Door A open out first regardless of door handling

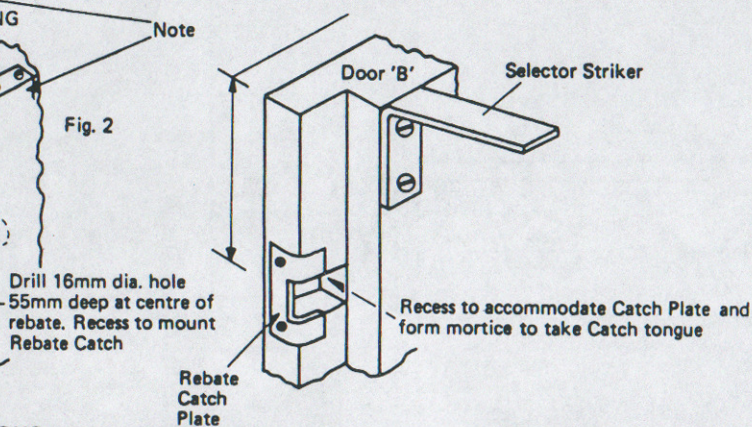


Fig. 2

NOTES

Remove selector body from Bracket, first remove Selector arm and then side cover, unscrew pivot adjustment screw and slide sideways.
Mount selector body on bracket using Template which is printed for either hand of rebate.
Mount selector body on bracket (NOTE: Body pivot adjustment screw must always be uppermost).
Mount Selector Striker as Fig.2 instructions.
Adjust Selector Arm, slide the Selector Arm to a position that Door 'A' is held open sufficiently to allow Door B to close.
Tighten Body Adjustment Screw, tightening arm in position securely.
Adjust pivot adjustment screw until the Selector Arm is no more than 13 mm from the door edge, i.e. Striking Impact Plate.
To test that the Selector is working correctly pull Door B slowly open to test that the Selector is working correctly.
When the Selector Striker will now release door 'A' by raising the Selector Striker. It is imperative that the door closer is adjusted correctly. Undue slamming on the door can result not only in damage to the selector but also to the door hinges.

FIXING INSTRUCTIONS DOOR SELECTOR

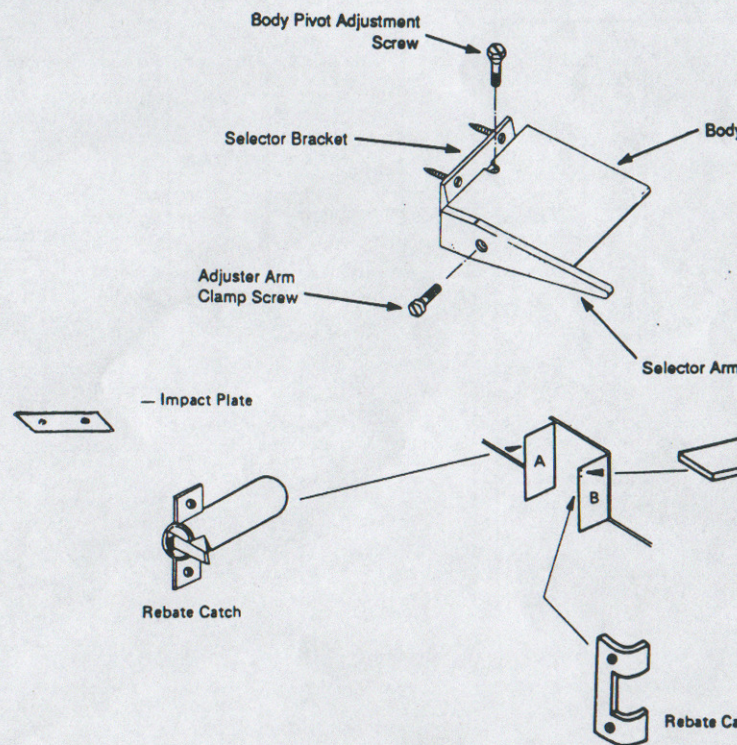
(Patent)

The Door Selector will enable a pair of self-closing doors with rebated meeting stiles to close in correct sequence, and irrespective of which door is opened first.

Suitable for doors of the following dimensions :

Weight of door	Up to 100 Kgs	
Door Closer Size	3 - 5	
Width of Each leaf	min. 700mm	max. 1000mm
Thickness	min. 38mm	max. 58mm
Rebate	min. 13mm	max. 25mm

Identify the component parts with the diagram below



N.B. It is essential that all these parts are fitted if the Door Selector is to function as stated.